



RECHARGEABLE CYCLONIC VACUUM CLEANER WITH POWER BRUSH

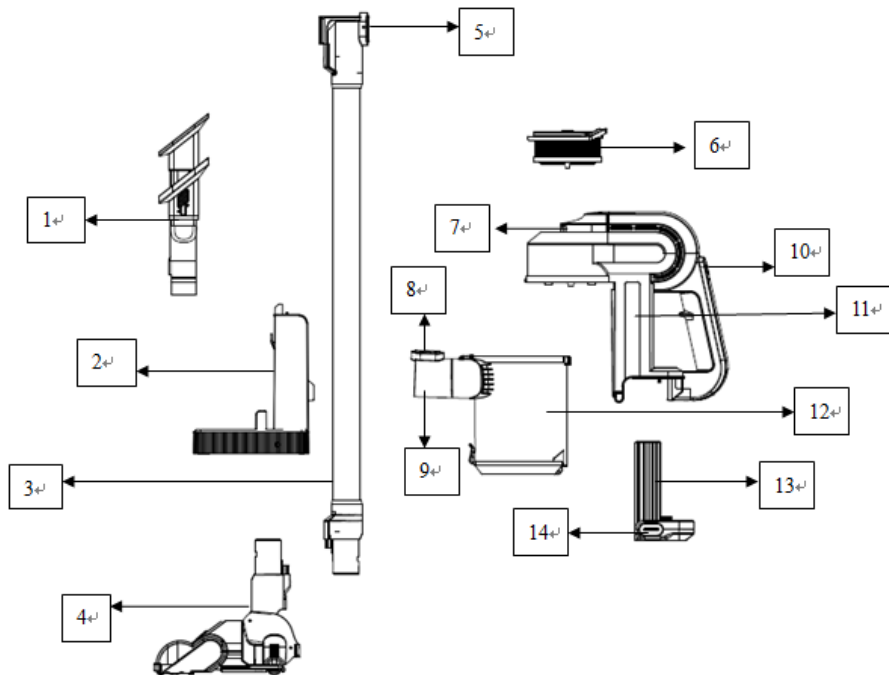


VC 44287

22.2 DC – Li-Ion Batteries



PARTS DESCRIPTION



- | | |
|--------------------------------------|--|
| 1. 3 in 1 accessory | 8. Release button of the tube or accessory |
| 2. Charging Station | 9. Suction tube |
| 3. Tube set | 10. On/Off with brush on/off button |
| 4. Motorized brush | 11. Main body |
| 5. Brush Release button | 12. Dust cup |
| 6. HEPA Filter | 13. Li-Ion battery pack |
| 7. Release button of the HEPA Filter | 14. 14. Release button of the battery pack |

IMPORTANT SAFEGUARDS

WARNING: To reduce the risk of fire, electric shock or injury, when using your appliance, basic safety precautions should always be followed, including the following:

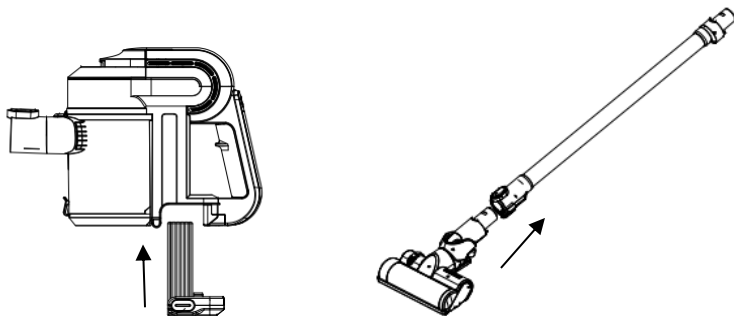
1. **READ ALL INSTRUCTIONS**
2. Check that your mains voltage corresponds to that stated on the rating plate of the appliance or the adapter.
3. Do not use outdoors and do not charge the unit outdoors.
4. Do not allow to be used as a toy. Close attention is necessary when used by or near children.
5. Please keep out of reach of children and pets. This product is not intended for use by children, by persons with reduced physical, sensory or mental capabilities, or lacking experience or knowledge, unless they have been given supervision or instruction concerning the use of the product, by a person responsible for their safety. Extra caution is always necessary when using this product.
6. Use only as described in this manual. Use only manufacturer's recommended attachments.
7. Do not use the appliance to clean wet surfaces. Never immerse the motor part or the charger in water or other liquids.
8. Do not use with damaged cord or plug. If appliance is not working as it should, has been dropped, damaged, left outdoors, or dropped into water, return it to the service center of the manufacturer.
9. Do not abuse the cord. Never carry the charger or base by the cord or yank to disconnect from an outlet; instead grasp the charger and pull to disconnect.
10. Keep the cord, the appliance and its batteries away from heated or warm surfaces. Do not pull cord around sharp edges or corners. Do not close the door on the charger cord.
11. Do not store in places exposed to direct sunlight. Store the appliance only in a dry, cool place.
12. Do not handle plug or appliance with wet hands.
13. This product includes a rechargeable battery. Do not incinerate the battery or expose to high temperatures, as it may explode.
14. Unplug the charger from the outlet before any routine cleaning or maintenance.

15. Do not change the accessories when the appliance is on.
16. Do not put any object into openings. Do not use with any opening blocked; keep free of dust, lint, hair, and anything that may reduce airflow.
17. Keep hair, loose clothing, fingers, and all parts of body away from openings and moving parts.
18. Do not use without the filter or dust container in place. After each use, clean the dust container and the dust cup filter.
19. Turn off all controls before unplugging.
20. Use extra care when cleaning on stairs.
21. Do not pick up anything that is burning or smoking, such as cigarettes, matches, or hot ashes.
22. Do not use to pick up flammable or combustible liquids such as gasoline or use in areas where they may be present.
23. Leaks from battery cells can occur under extreme conditions. If the liquid gets on the skin, wash quickly with soap and water or neutralize with a mild acid such as lemon juice or vinegar. If the liquid gets into the eyes, flush them immediately with clean water for a minimum of 10 minutes. Seek medical attention.
24. Use only the charger supplied by the manufacturer to recharge.
25. Do not try to open the battery, battery compartment or adapter.

SAVE THESE INSTRUCTIONS HOUSEHOLD USE ONLY

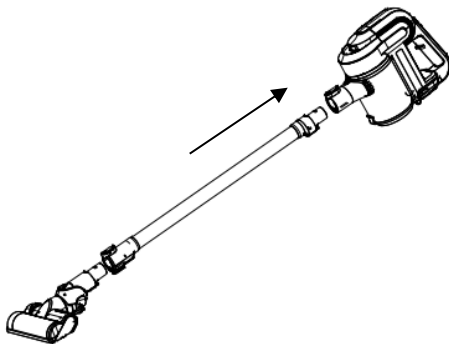
UNPACKING AND ASSEMBLING

Step 1: Install the battery as below picture.



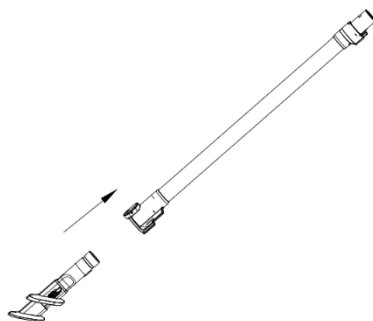
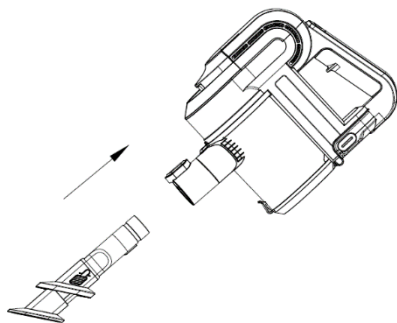
Step 2: Install the electrical brush by inserting it into tube carefully.

Step 3: Install the tube with brush by inserting it into the vacuum suction tube.



Or

Step 4: Install the 3 in 1 accessories to suction tube or tube of vacuum cleaner as below drawings.

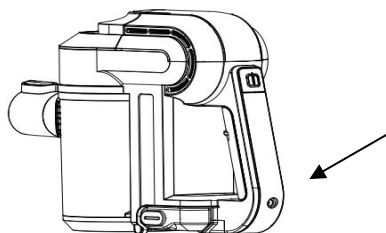
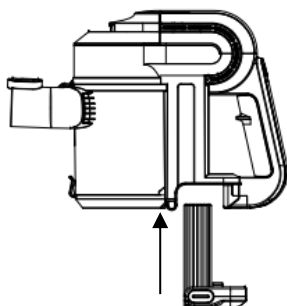


CHARGING THE VACUUM CLEANER

Note: Before using your vacuum cleaner for the first time, charge the battery for approximately 3 hours. A fully charged battery will give approximately 25 minutes of continuous vacuum cleaning on regular mode and approximately 15 minutes of use in high power mode.

There are 2 ways to charge the unit:

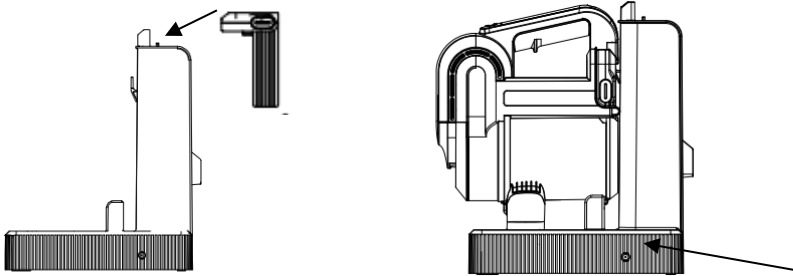
1. Direct charge



- Make sure the battery is properly inserted into the main body, and that the unit is turned off.
- Simply connect the plug of the adapter in the socket in the handle of the unit, and then plug it into a wall socket.
- The indicator light will flash once the device has made contact with the adaptor and will keep blinking while the unit is charging. When the unit is fully charged, the LED indicator will keep bright for 50

seconds and will then automatically turn off, to signify that the battery is fully charged.

2. Charge on base



- Place the base on a flat, horizontal, stable surface that is not exposed to direct sunlight or humidity, **and far from any heat source.**
- Remove the rubber cover on the base to access the charging pins on top of the charging station.
- Make sure the appliance is set to off, and all the accessories are removed.
- Plug the charger into the side of the base, and then plug it into a wall socket.
- Place the battery into the charging base, making sure that the connection pins on the base are straight and not crooked. The battery should insert perfectly into the base
- The LED light on the base lights up red, and will start blinking, to show that the battery is charging.
- When the battery is fully charged, the LED indicator light should glow solid red (it will no longer blink).

Note: To remove the battery from the base, simply press the 2 buttons on each side of the battery and lift it out from its cradle.

Note: We recommend keeping your appliance always in charge when not in use, this way it will keep a full charge and will always be ready for use when you need it.

Important: The charger and its cord cannot be repaired. Should they be damaged, they must be discarded. Contact customer service to replace them.

Do not charge the battery if the room temperature falls below 32°F (0°C) or rises to more than 131°F (55°C).

Notes and tips:

- The charger might warm up during use. This is perfectly normal. It will cool down as soon as the charging process is over.
- When you notice that the motor is turning less quickly, it means that the battery needs to be charged completely.
- It can be useful from time to time (once a month) to completely discharge the battery, and then completely recharge it, to maintain optimal performance.
- Recharge after every use.
- The battery is equipped with a self-protection feature. During charging, if the surface of the battery gets over 131°F / 55°C, or below 32°F / 0°C, the battery will stop charging until its surface temperature remains within the 32-113°F / 0-45 °C range. Likewise, during discharging, if the battery temperature exceeds 158°F / 70°C, the lights will flash for 5 seconds, and the battery will turn itself off for protection. It will start working again when the temperature drops below 149°F / 65 °C.

USING YOUR VACUUM CLEANER

- Once your appliance is fully charged, remove it from the base, holding it by its handle.
- Switch it on by pressing the ON/OFF switch.
- Press the ON/OFF switch a second time to activate the high-power mode.
- When you are finished, press the ON/OFF switch again, to switch off the appliance, before putting it back into the charging base.

Tip: In the back the charging base you can find a storage compartment, where you can store the accessories supplied safely and without risk of misplacing or losing them.

USING THE ACCESSORIES

Using the motorized brush:

- Use the motorized brush to clean floors and carpets.

Using the crevice tool:

- Use the crevice nozzle to clean narrow, hard-to-reach places, such as heater gaps, wall ends and corners, etc.

Using the furniture brush:

- First, insert the larger round end of the crevice tool into the nozzle of the dust container, as explained above.
- Then insert the end of the furniture brush onto the crevice tool.
- Use it to clean delicate surfaces, furniture, lamps, shelves and books, etc. or for your car.

Using the small brush:

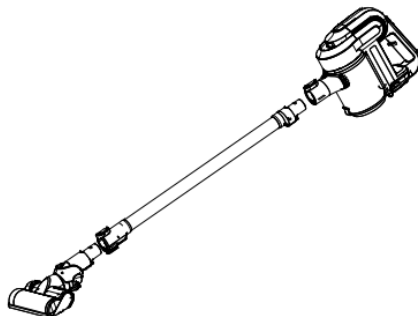
- First, insert the larger round end of the crevice tool into the nozzle of the dust container, as explained above.
- Then insert the end of the small brush onto the crevice tool.
- Use it to remove dust and dirt from hard to reach places.

Note: remove all the accessories before attempting to place the vacuum cleaner back into its base.

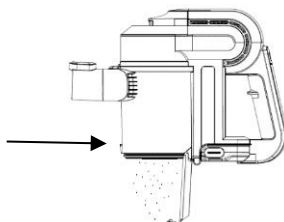
After use, you can store the 3 accessories in their storage compartment.

MAINTENANCE

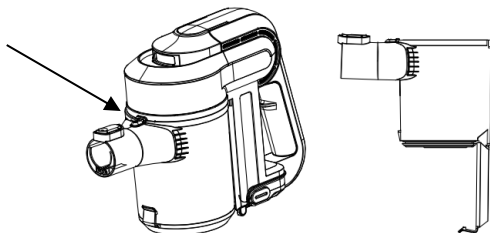
- Cleaning the dust container and HEPA filter after each use is extremely important as it allows for optimal use of your appliance and eliminates the unpleasantness of bad smells.
- First, remove the accessories from the body by pressing the release button.



- Then, press the release button to open the dust container and empty it in a dustbin.



- To clean the cyclone part, remove the dust cup by pressing the release button and twisting the container out. Clean the cyclone part with a soft toothbrush. Make sure all parts are dry before assembling for next use.



- To clean the HEPA filter, press the button to open the front cover and take out the HEPA filter. Wash under water with a soft brush if necessary. Let the filter air dry and make sure it is completely dry before reinserting into the unit.
- The HEPA filter can easily be replaced with a new filter.



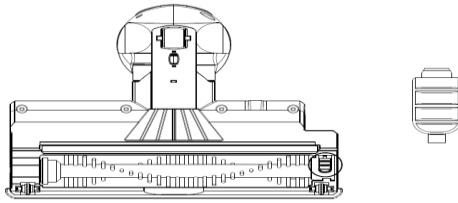
Notes:

- Do not wash the filter or the dust container in the dishwasher or in the washing machine. Do not use a hair dryer to dry the filter.
- Always make sure the filter is in place before operating the appliance.
- NEVER IMMERSE THE MOTOR PART, THE ADAPTER, OR THE BASE, IN WATER OR OTHER LIQUIDS.
- To clean the base or the motor housing, unplug the charger from the wall outlet, and clean with a slightly damp, nonabrasive cloth or towel only. Dry the surfaces before plugging the adapter back into the wall socket. Be careful not to switch the appliance on while cleaning.

To clean the motorized brush:

If the motorized brush becomes blocked or jammed for any reason, the brush may need to be cleaned.

- First, switch off the device and carefully remove any items that may have become entangled using a pair of scissors or a sharp knife.
- If the brush needs to be taken out to be cleaned, push the slip button at the bottom of the brush and carefully remove the brush.

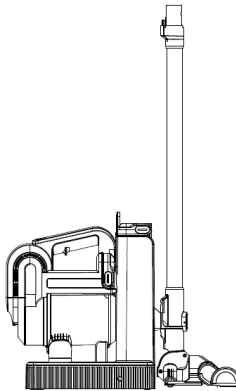


To clean the wheel axles:

If a wheel is jammed by threads or dirt, remove the wheels by carefully prizing them loose using a screwdriver inserted into the cavity. Remove threads or any other objects that may have become jammed in the wheel axles. Reassemble the wheels by pressing them tightly together.

How to store the vacuum cleaner:

To install the handheld vacuum cleaner into the station, put the aluminum tube in the docking station by inserting it into the hook as below picture.



CAUTION

- Never immerse the motor part or the adapter in water or other liquids.
- Empty the dust container after each use.
- Do not pick up anything that is burning or smoking, such as cigarettes, matches, or hot ashes.
- Do not use to pick up flammable or combustible liquids such as gasoline or use in areas where they may be present.
- Do not use the appliance to clean wet surfaces.
- The batteries inside the battery pack are not user-serviceable and must be replaced by an authorized service only. The battery pack needs to be recycled or disposed of properly.

BATTERY REPLACEMENT

- Your appliance contains a rechargeable battery. It can be recharged many times and has a long lifespan.
- The appliance is powered by a Li-Ion battery pack. These batteries need to be recycled or disposed of properly, in consideration of the environment.
- The battery pack is not user-serviceable. If the battery does not recharge or perform, considered replacing the battery pack by a new one.
- Do not attempt to replace the batteries used in this product by any other type of batteries. Use only the batteries supplied with this unit.

WARRANTY

We suggest that you complete and return the enclosed Product Registration Card promptly to facilitate verification of the date of original purchase. However, return of the Product Registration Card is not a condition of these warranties. You can also fill out this warranty card online, at the following address: www.KALORIK.com

This KALORIK product is warranted in the U.S.A. for 1 year from the date of purchase against defects in material and workmanship. This warranty is not transferable. Keep the original sales receipt. Proof of purchase is required to obtain warranty performance.

During this period, if the KALORIK product, upon inspection by KALORIK, is proven defective, it will be repaired or replaced, at Kalorik's option, without charge to the customer. If a replacement product is sent, it will carry the remaining warranty of the original product.

This warranty does not apply to any defect arising from a buyer's or user's misuse of the product, negligence, failure to follow KALORIK instructions noted in the user's manual, use on current or voltage other than that stamped on the product, wear and tear, alteration or repair not authorized by KALORIK, or use for commercial purposes. There is no warranty for glass parts, glass containers, filter basket, blades and agitators, and accessories in general. There is also no warranty for parts lost by the user.

ANY WARRANTY OF MERCHANTABILITY OR FITNESS WITH RESPECT TO THIS PRODUCT IS ALSO LIMITED TO THE ONE YEAR LIMITED WARRANTY PERIOD.

Some states do not allow limitation on how long an implied warranty lasts or do not allow the exclusion of incidental or consequential damages, so the above limitations may not apply to you. This warranty gives you specific legal rights, and you may also have other rights which vary from state to state.

If the appliance should become defective within the warranty period and more than 30 days after date of purchase, do not return the appliance to the store: often, our Customer Service Representatives can help solve the problem without having the product serviced. If

servicing is needed, a Representative can confirm whether the product is under warranty and direct you to the nearest service location.

If this is the case, bring the product, or send it, postage prepaid by the user (all Kalorik customers are responsible for the initial shipment back to the warranty center), along **with proof of purchase** and a **return authorization number** indicated on the outer package, given by our Customer Service Representatives. Send to the authorized KALORIK Service Center (please visit our website at www.KALORIK.com or call our Customer Service Department for the address of our authorized KALORIK Service Center).

When sending the product, please include a letter explaining the nature of the claimed defect.

If you have additional questions, please call our Customer Service Department (please see below for complete contact information), Monday through Thursday from 9:00am - 5:00pm (EST) and Friday from 9:00am - 4:00pm (EST). Please note hours are subject to change.

If you would like to write, please send your letter to:

KALORIK Customer Service Department

Team International Group of America Inc.
1400 N.W 159th Street, Suite 102
Miami Gardens, FL 33169 USA

Or call:

Toll Free: +1 888-521-TEAM / +1 888-KALORIK

Only letters can be accepted at this address above. Shipments and packages that do not have a return authorization number will be refused.

For questions please contact:

KALORIK Customer Service Department
Team International Group of America Inc.
1400 N.W 159th Street, Suite 102
Miami Gardens, FL 33169 USA

Toll Free: +1 888-521-TEAM / +1 888-KALORIK

www.KALORIK.com



Model VC 44287

